



[www.essarairsystems.com](http://www.essarairsystems.com)

**An ISO 9001 : 2008 Certified Company**

# ABOUT US

ESSAR ENVIRO AIR SYSTEMS has been in the business of Air pollution control equipment and Material Handling Equipment since 2007. Our standards of air pollution control systems in terms of air emission, efficiency & power demand are in line or better than industry norms. Our Material Handling Equipment are in Operation in Industry like Cement, Steel, Fertilizer etc..., We utilise most innovative and state of art technology in all our equipment manufacture and offer our customer a total solution rather than mere supply.

We have R&D facility for specific to customer need. We have experienced Engineers in Design, Manufacturing & Erection. ESSAR team is a qualified and experienced in the technocrat and entrepreneur. We have modern facility of Manufacture for the fabrication, Machining, Assembly and testing. we have a tight quality control system. we offer onestop solution to our customer. ESSAR getting repeat orders for our all over India customers, which is a proof of our quality and reliability. We also executed export orders.

We also **ISO 9001:2008 Certified Company**



## Mission

Mission way of thinking philosophy, what we live for... call it what you want you'll find it below. Introduce yourself to the way we think.

"To TRANSFORM our spheres of influence and to improve the quality of life by building institutions that provide better ACCESS to better dust & pollution free services to more people ..all the time".

We aim at supplying the best products in the markets that give maximum satisfaction to our clients and help in keeping the environment clean.

## Vislon

To develop energy efficient systems by doing equipments continous research & development. By keeping in the view of end user requirement. fThe ESSAR ENVIRO AIR SYSTEMS design, manufacture and supply at affordable cost with high features.

## Our Products

### Air Pollution Control Equipments

- \* DUST COLLECTOR (PULSE JET BAG FILTERS)
- \* CENTRIFUGAL BLOWERS
- \* FUME EXTRACTION SYSTEMS
- \* CYCLONE SEPARATORS
- \* MULTY CYCLONE SEPARATORS
- \* SCRUBBERS

### Material Handling Equipments

- \* SCREW CONVEYORS
- \* BELT CONVEYORS
- \* BUCKET ELEVATORS
- \* ROTARY AIR LOCK VALVES
- \* AIR SLIDES



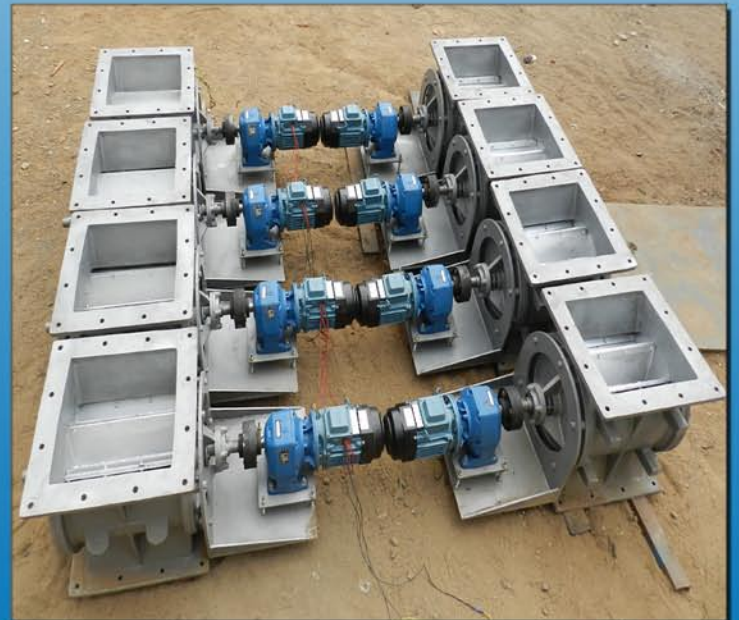
# ROTARY AIR LOCK VALVE

ESSAR Manufactures precision rotary air lock valve to the need of various industries. Rotary air lock feeds uniform discharge of material and there is a dosing valve also Rotary air lock valves also seals the air by preventing from inside to outside and outside to inside. Rotary air lock are versatile and known for smooth operation occupies less space. The prime function of a rotary valve is to regulate the flow from one chamber to another while maintaining a good airlock condition. The product is mainly in dry powder or granular form. In the dust filtration field good airlocks are essential on cyclone and bag filter applications in order that the manufacturer's quoted high dust collection efficiencies can be maintained. Airlocks are also important in the pneumatic conveying industry, where product is regulated into a high pressure conveying line while minimising air leakage.



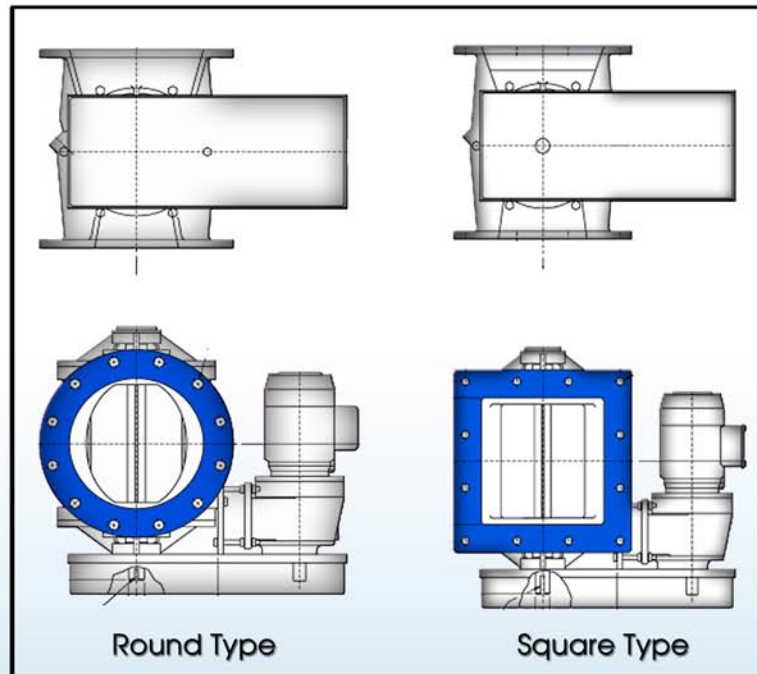
## Silent Features

- \* Applicable for powder lump material hot material also.
- \* Suits Round & Rectangular & Square feed & discharge requirements
- \* The gap between vane and casing is minimum and can be readjusted if worn out by vane adjusting plate
- \* Cast Iron, Stainless steel, MS fabricated versions are available according to need of customers

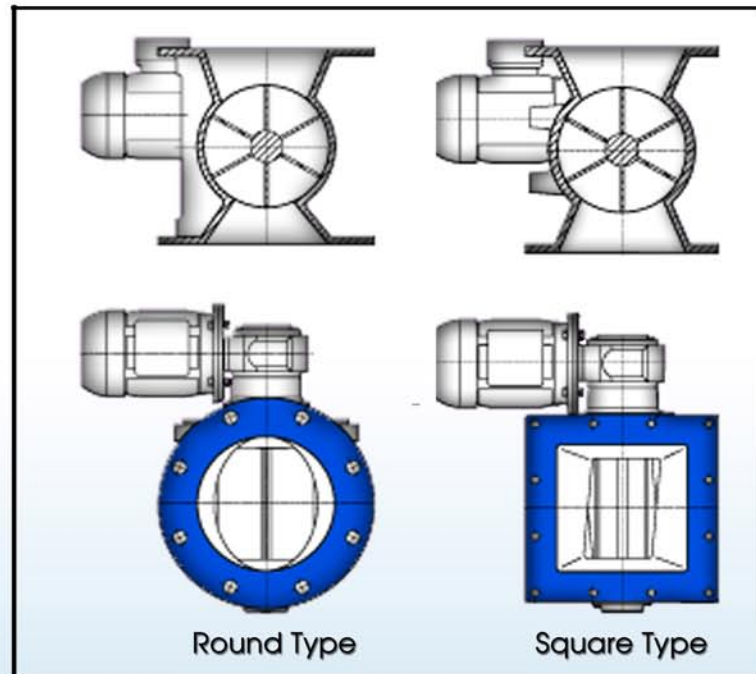


# Models

## Chain Drive



## Direct Drive



## Availability Sizes

\* 150, 200, 250, 300, 350, 400, 500, 600

## Type of MOC

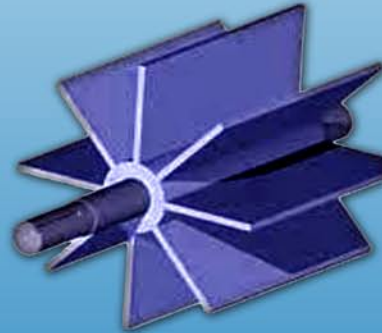
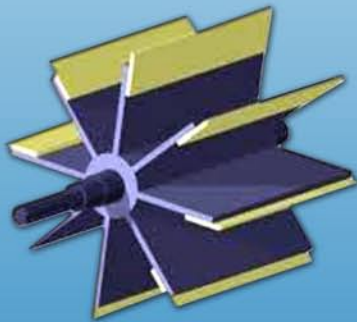
\* M.S.Fabricated

\* S.S.Fabricated

\* Cost Iron

## Spares

\* Rotor



## Applications

\* Cement plants

\* Power plant

\* Sponge Iron/Steel plants

\* Chemical plants

\* Food Industry

\* Plastic Industry

\* Foundries

\* Ceramic Industry

\* Rubber Industry

\* Wood Industry

\* Glass Industry

\* Pesticides Industry

# ESSAR

## ENVIRO AIR SYSTEMS

Plot No.10c, Phase-IV, I.D.A.,  
Jeedimetla, Hyderabad-500 055,  
Andhra Pradesh, India.

Office : 040-20000730,  
Tele Fax : 040-42204348,  
CELL : 9866583700,9652883700  
Email : [essareng777@gmail.com](mailto:essareng777@gmail.com)  
[info@essarairsystems.com](mailto:info@essarairsystems.com)  
Website : [www.essarairsystems.com](http://www.essarairsystems.com)



POLLUTION CONTROL SOLUTIONS

An ISO 9001:2008 Certified Company